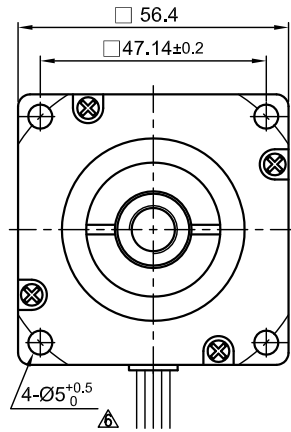
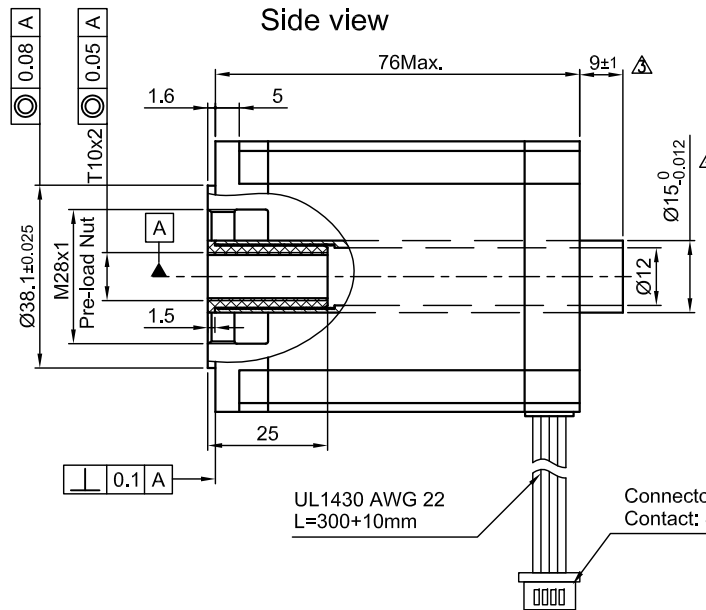


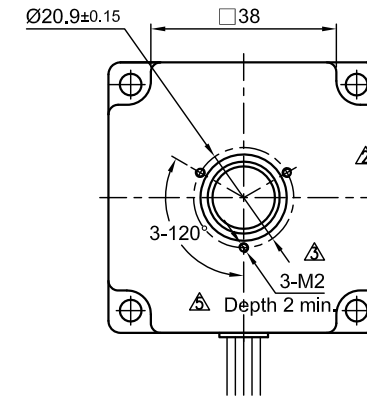
Front view and mounting



Side view



Rear view



SPECIFICATION	UNIPOLAR OR BIPOLAR-1 WINDING		BIPOLAR	
			SERIES	PARALLEL
AMPS/PHASE	3.0		2.1	4.2
RESISTANCE/PHASE (Ohms)@25°C	1.15±15%		2.3±15%	0.58±15%
INDUCTANCE/PHASE (mH) @1KHz	2.2±20%		8.8±20%	2.2±20%
SPINDLE PITCH (mm) [in]	2 [0.078]			
THRUST (N) [lb]	1000 [225]			
RESOLUTION (mm/STEP)	0.01			
STATIC THRUST (N) (NO CURRENT)	>1000			
MAX. SPEED (mm/sec.) at 48V	80			
MAX. SPEED WITH MAX. THRUST (mm/sec.)	25			
WEIGHT (Kg) [lb]	1.0 [1.43]			
TEMPERATURE RISE: MAX.80°C (MOTOR STANDSTILL; FOR 2 PHASE ENERGIZED)				
AMBIENT TEMPERATURE -10~ 50°C [14°F ~ 122°F]				
INSULATION RESISTANCE 100 MOhm (UNDER NORMAL TEMPERATURE AND HUMIDITY)				
INSULATION CLASS B 130° [266°F]				
DIELECTRIC STRENGTH 500VAC FOR 1 MIN. (BETWEEN THE MOTOR COILS AND THE MOTOR CASE)				
AMBIENT HUMIDITY MAX. 85% (NO CONDENSATION)				

Please regard the application note at www.nanotec.com for further informations.

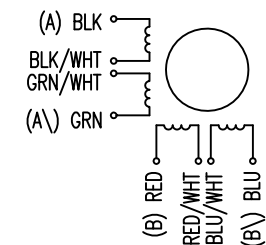
Shaft play is adjustable at the motor.

TYPE OF CONNECTION (EXTERN)				MOTOR		
UNIPOLAR	BIPOLAR			CONNECTOR PIN NO.	LEADS	WINDING
	1WINDING	SERIAL	PARALLEL			
A	A	A	A	1	BLK	A
COM	A			3	BLK/WHT	
A\		A\	A\	2	GRN/WHT	A\
B	B	B	B	4	GRN	B
COM	B			5	RED	
B\		B\	B\	7	RED/WHT	B\
				6	BLU/WHT	
				8	BLU	

FULL STEP 2 PHASE-Ex., WHEN FACING MOUNTING END (X)

STEP	A	B	A\	B\	CCW	CW
1	+	+	-	-	↓	↑
2	-	+	+	-	↑	↓
3	-	-	+	+	↓	↑
4	+	-	-	+	↑	↓

WIRING DIAGRAM



6	NEW RESISTANCE+DRAWING FRAME	17.07.17	GYQ	 Nanotec PLUG & DRIVE	APVD	G.S.	28.04.15	LINEAR AKTUATOR		
5	3-M2 DEPTH	14.08.15	GYQ		CHKD	ZYL	03.09.10			
4	ADD TOLERANCE OF B-SHAFT	28.04.15	GYQ		DRN	GYQ	03.09.10			
REV	DESCRIPTION	DATE	DRN	Surface specification DIN ISO 1302	General tolerances DIN ISO 2768- cH	Work piece edge DIN ISO 13715	SIGNATURE	DATE	DWG.NO	L5918L3008-T10x2